

TOP VIEW

MATERIAL:

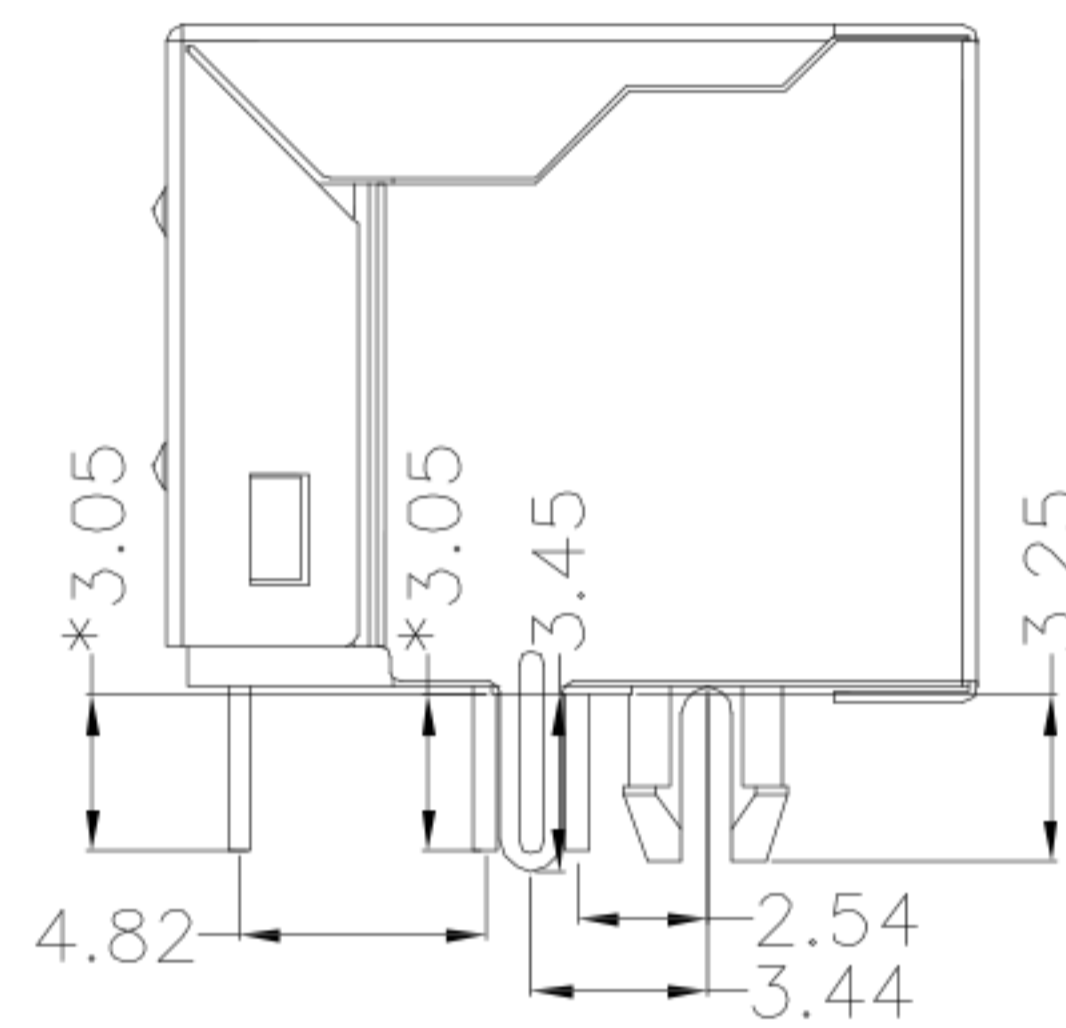
HOUSING: PA46,UL94V-0,BLACK.
 TERMINAL: PHOSPHOR BRONZE Ø=0.46MM , G/FU" GOLD PLATING.
 SHIELD: C2680,T=0.20MM,20U" MIN NICKEL PLATING ON ALL AREA.

MACHANICAL:

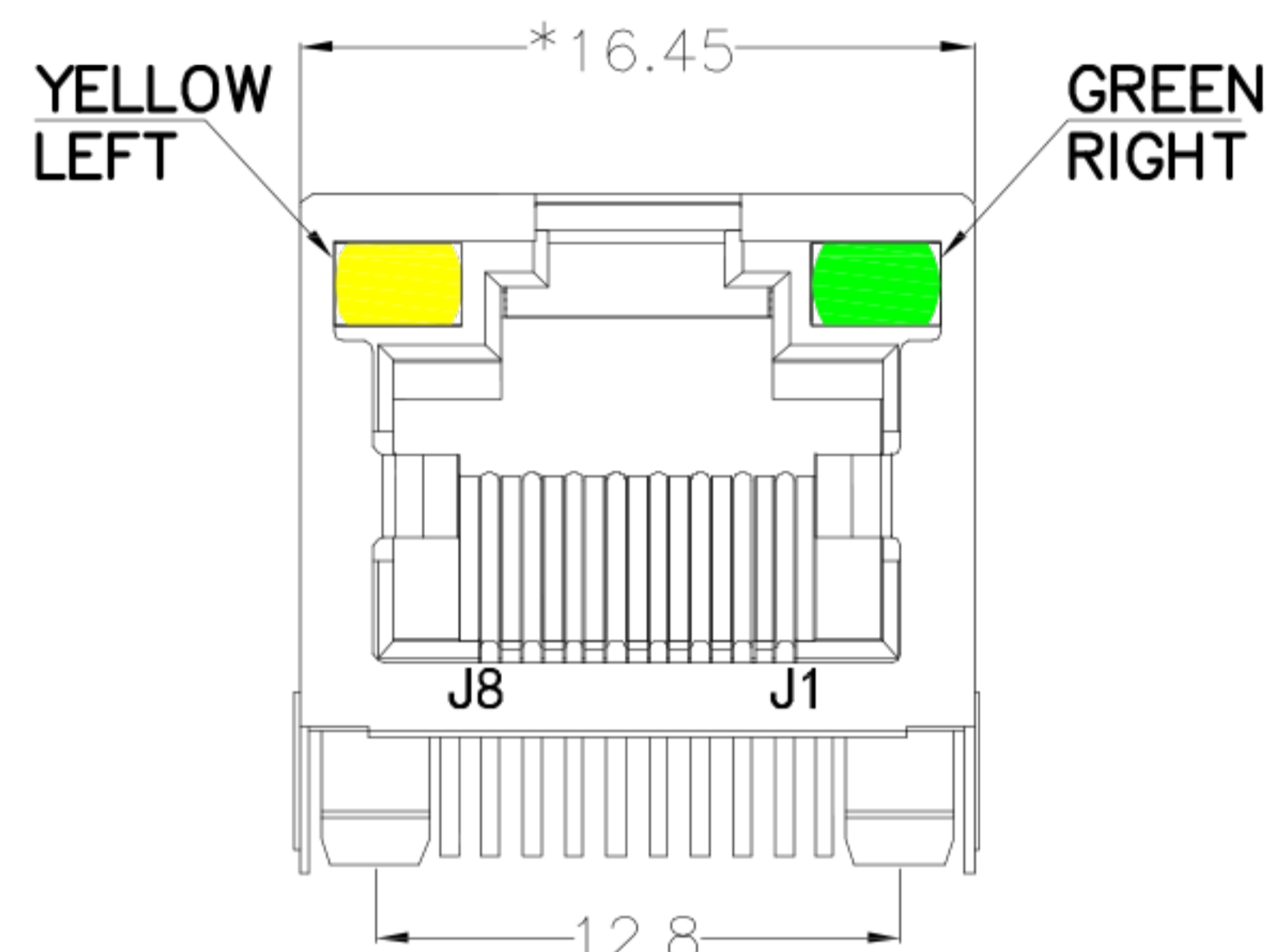
DURABILITY: 750 CYCLES MIN,12.5MM/MINUTE.
 INSERTION FORCE: 2.2KG.F MAX.
 RETENTION STRENGTH : 7.7KG.F BETWEEN JACK AND PLUG.
 OPERATING TEMPERATURE: -40 °C~+85°C.
 STORAGE TEMPERATURE: -40°C~+85°C.
 ALL CRITICAL DIMENSIONS WITH "*"

ELECTRICAL:

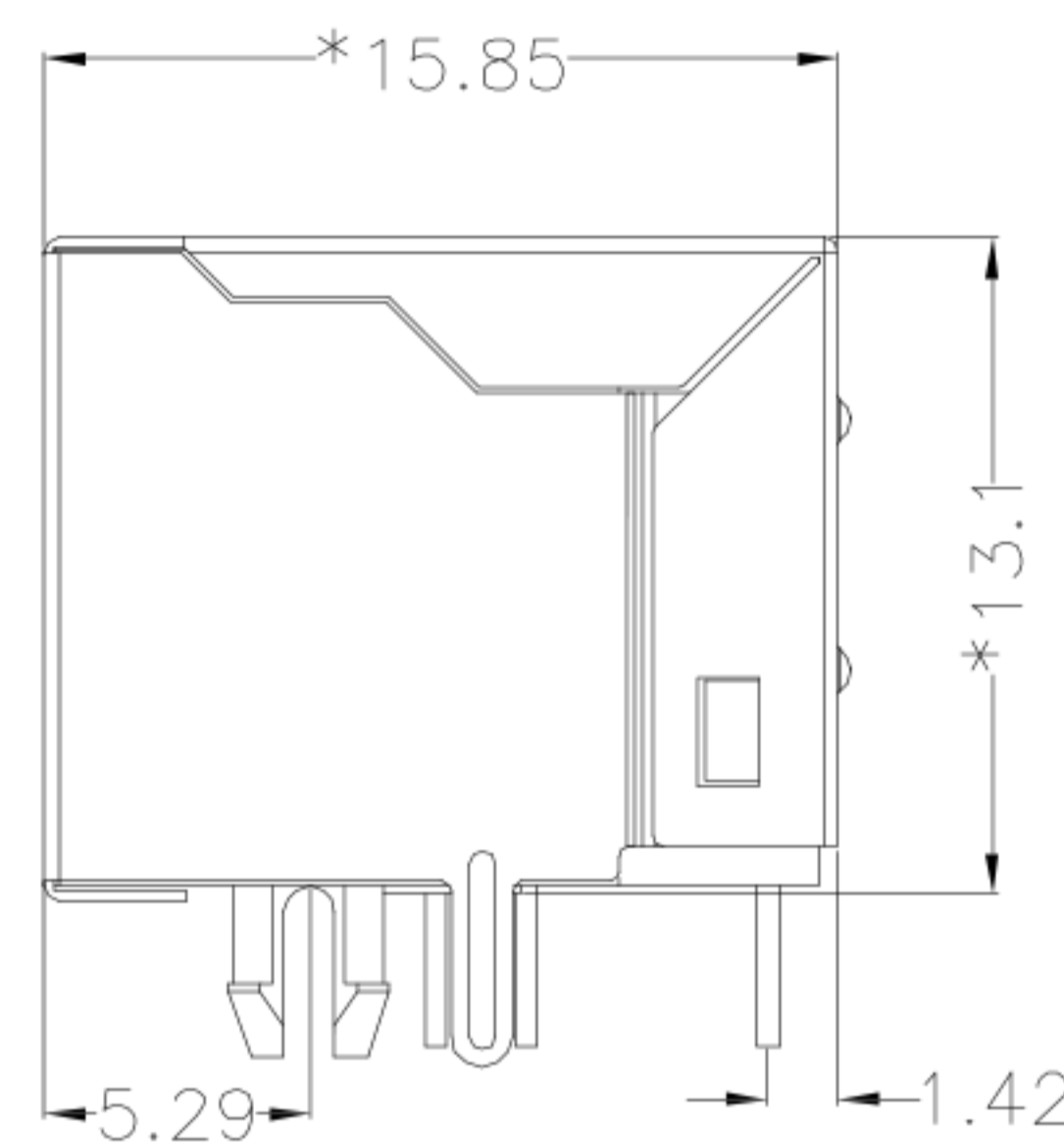
VOLTAGE: 125 VOLTS AC.
 CURRENT RATING : 1.5AMP.
 DIELECTRIC STRENGTH: 1000 VAC RMS 50HZ OR 60HZ,1MIN.
 INSULATION RESISTANCE: 500 MEGA OHMS MIN. INITIAL AFTER 500V DC FOR 1 MINUTE.
 CONTACT RESISTANCE: SINGLE TERMINAL 30 MILLIOHMS MAX. INITIAL 50 MILLIOHMS MAX. AFTER DURABILITY TEST.



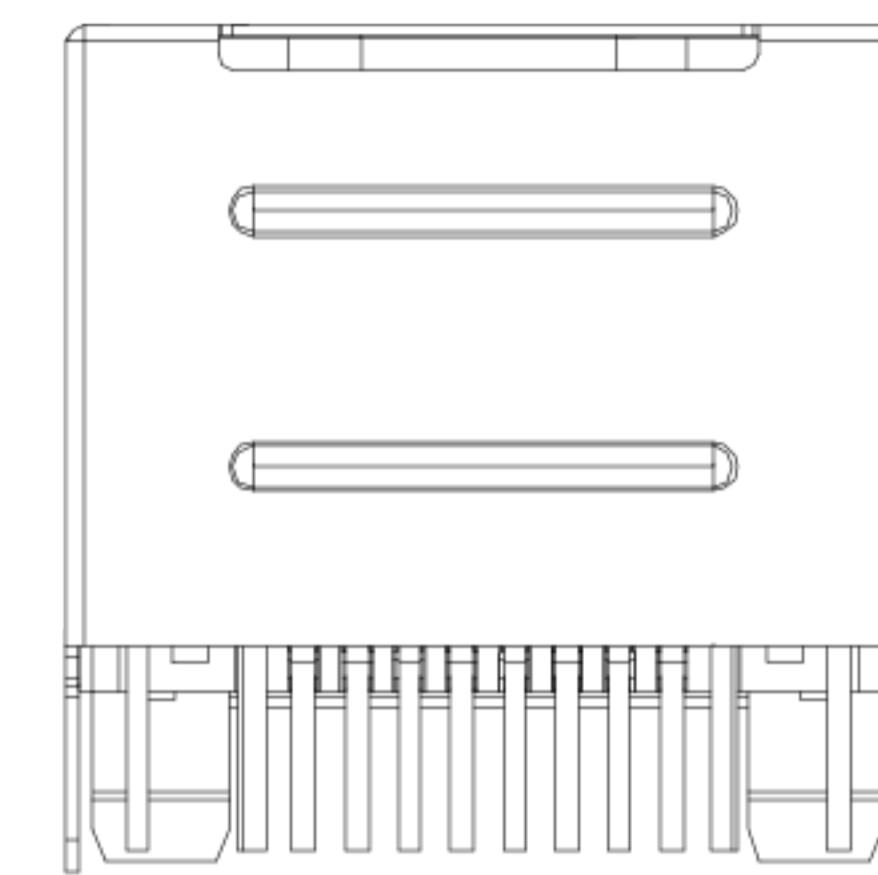
LEFT SIDE VIEW



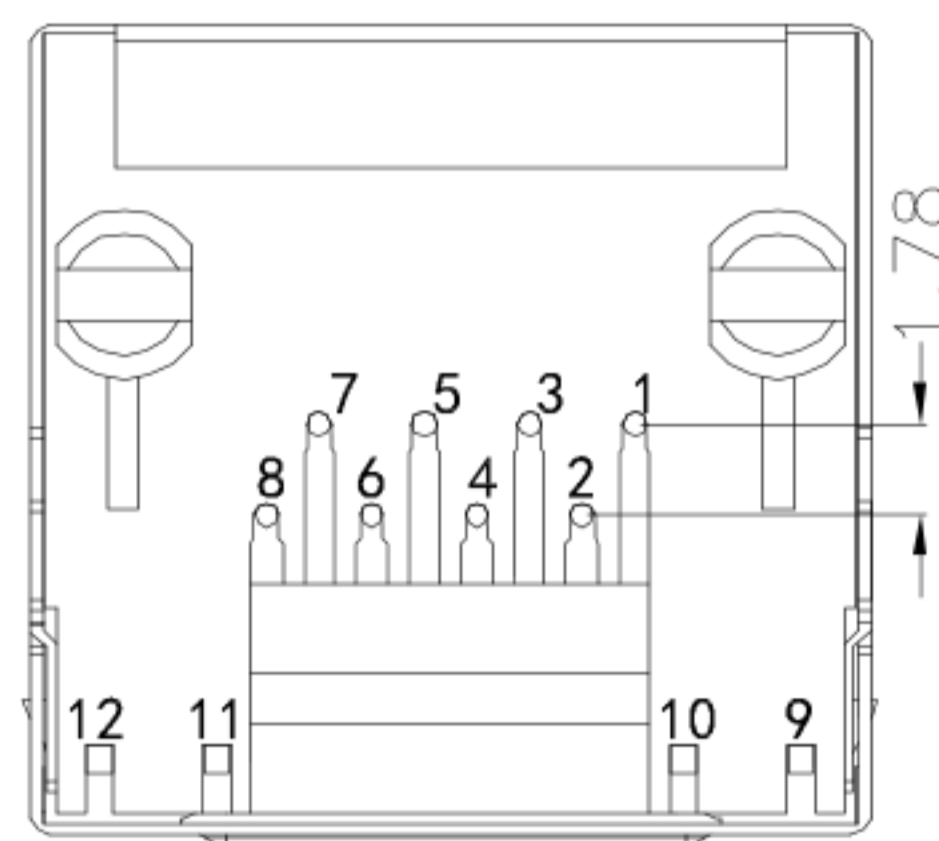
FRONT VIEW



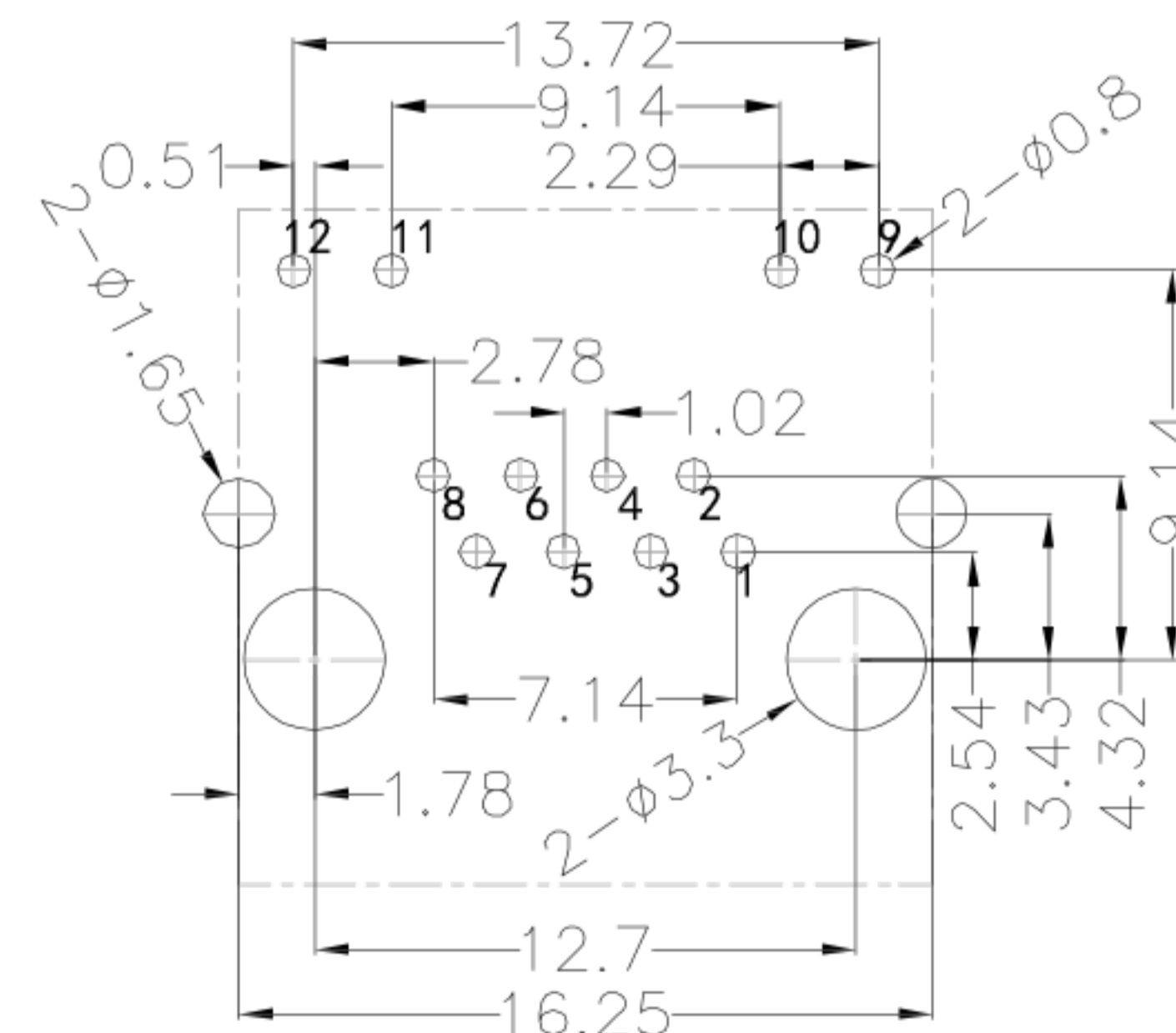
RIGHT SIDE VIEW



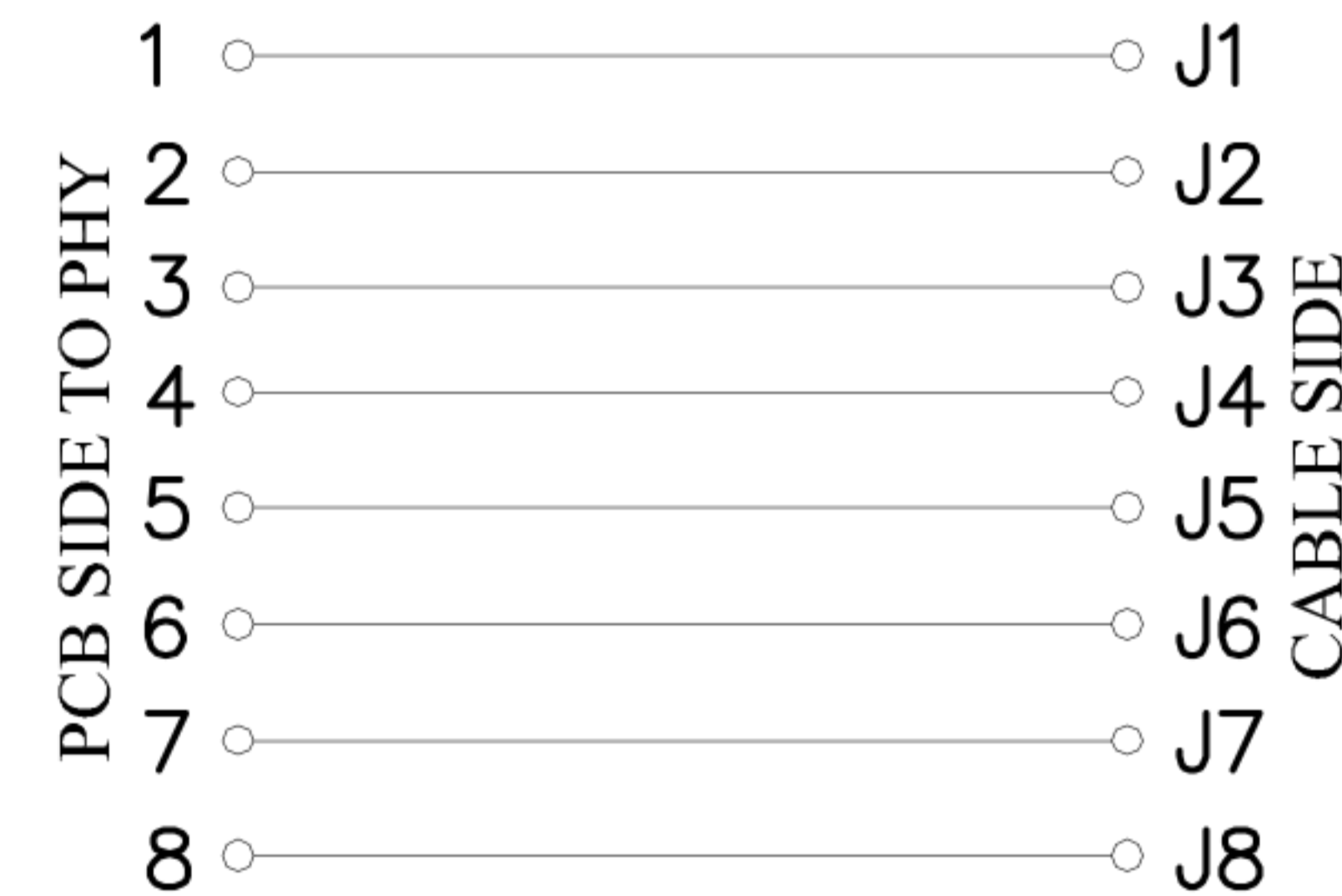
BACK VIEW



BOTTOM VIEW

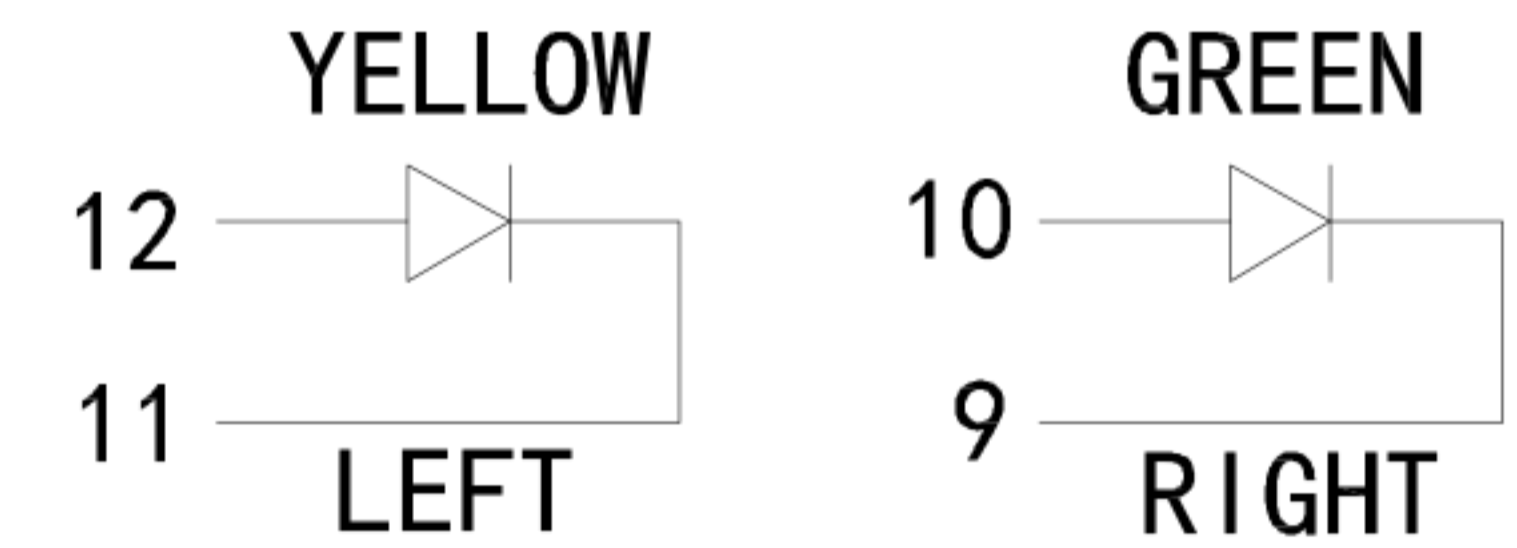


RECOMMENDED PCB LAYOUT VIEWED FROM COMPONENT SIDE



LED Specification

Standard LED Color	LED Wavelength	Foward(A)	Foward(V)
Green	569nm	20mA	1.85-2.45V
Yellow	589nm	20mA	1.7-2.2V



APPROVALS		DATE	深圳市联丰盈电子有限公司 SHENZHEN LINFENGYING ELECTRONIC CO.,LTD			
DRAWN	ZHIWEI.CHEN	2015.07.07				
CHECKED			TITLE:			
APPROVALS			PART NO. RJ45-6W11-DDYG-AB-88-B2			
TOLERANCES ARE	30~以上	±0.30	ANGLE	UNIT: mm	SCALE: 1:1	PROJ:
	10~30	±0.20				
	5~10	±0.15	±2°	DRAWING NO.		SHEET 1 OF 1
	~ 5	±0.10				

ECN NO.	REV.	DATE.	DESCRIPTION.	CHANGE.	CHECK.	APPRO.
	A		NEW			